

LT2213

Spare parts

Ersatzteile

Pièces détachées

Reserve onderdelen

Repuestos

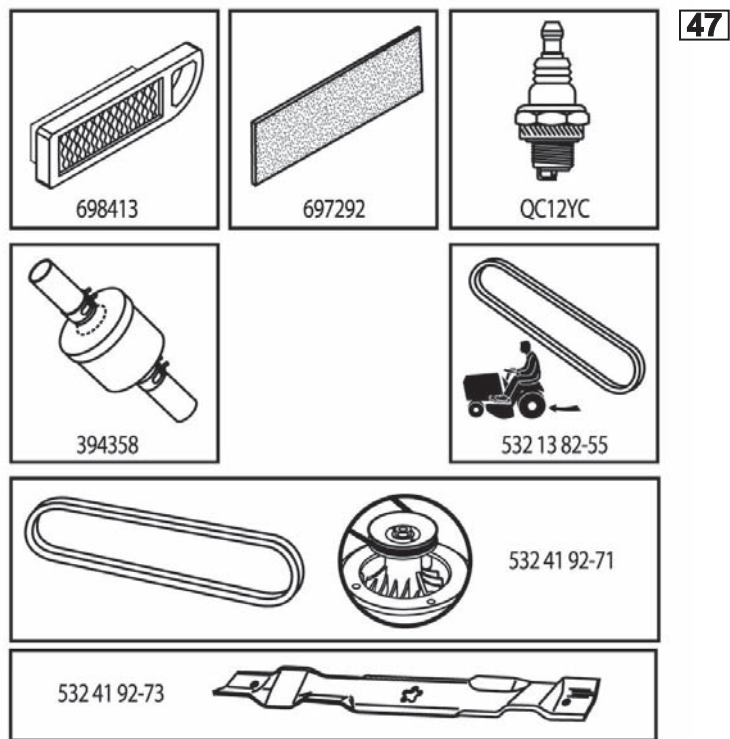
Reservdelar

ILLUSTRATED PARTS LIST

MFG. ID NO. 96041008702

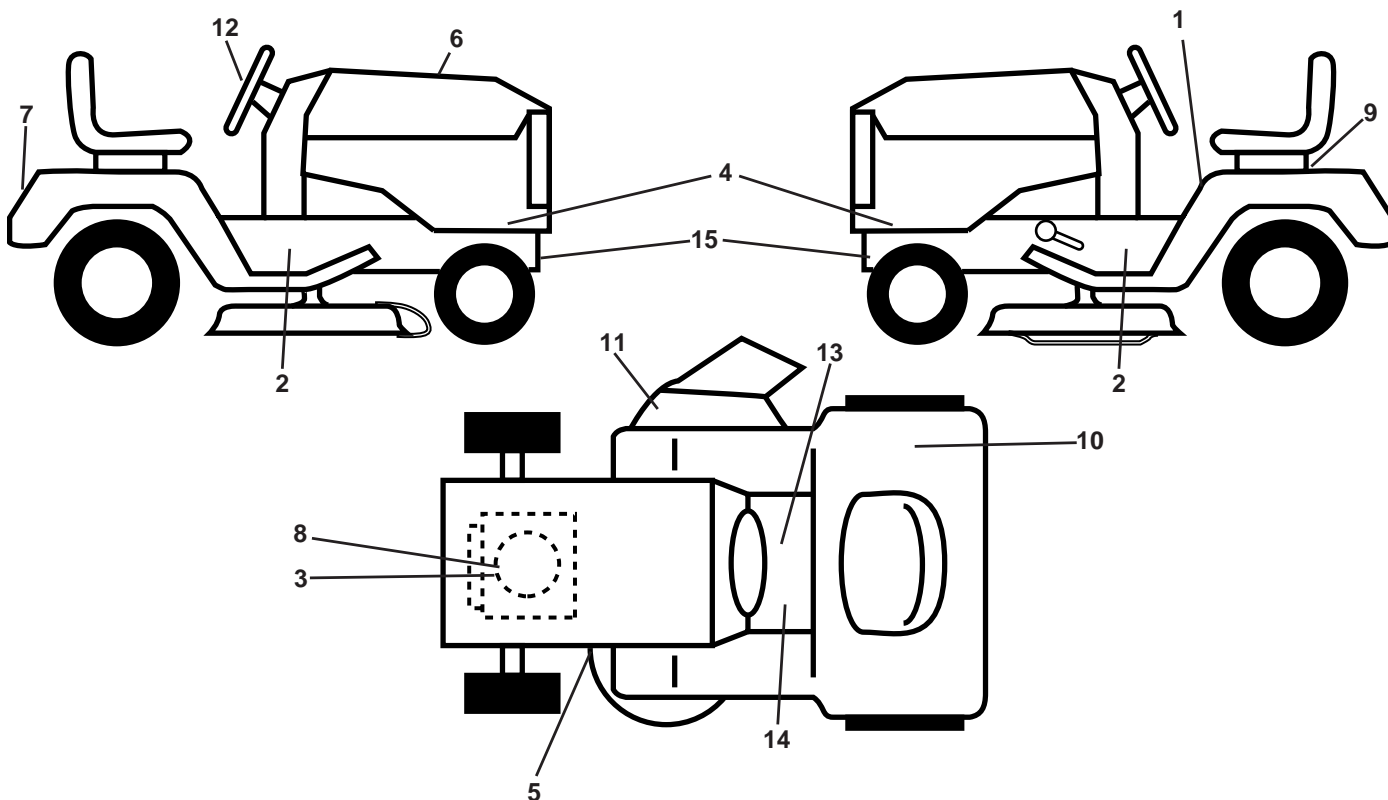
CUSTOMER CATALOG NO. LT2213

PRODUCT NO. 960 41 00-87



422597

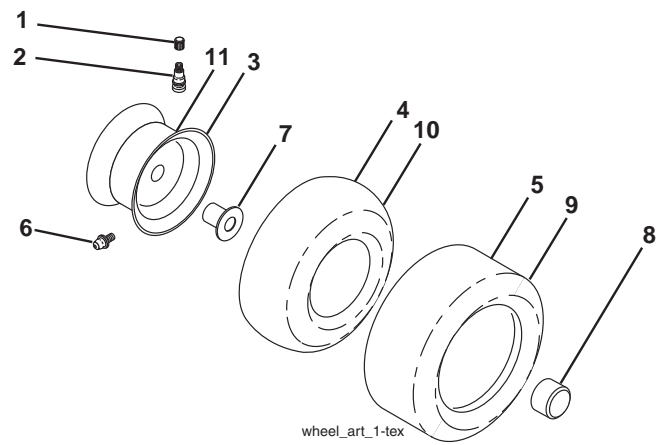
**TRACTOR -- MODEL NO. LT2213 (96041008702), PRODUCT NO. 960 41 00-87
DECALS 27**



| KEY NO. | PART NO. | DESCRIPTION |
|---------|--------------|-------------------------------|
| 1 | 532 40 03-89 | Decal, Warning Symbols |
| 2 | 532 40 11-46 | Decal, Warning Service/Fire |
| 3 | 532 19 68-41 | Decal, Warning Engine Symbols |
| 4 | 532 42 57-16 | Decal, Hood Panel |
| 5 | 532 42 15-43 | Decal, V-Belt Schematic |
| 6 | 532 42 25-97 | Decal, Replacement |
| 7 | 532 18 39-30 | Decal, Cover/Belt Guard |
| 8 | 532 43 74-10 | Decal, Engine HP |
| 9 | 532 14 50-05 | Decal, Battery Dnge/Poi |

| KEY NO. | PART NO. | DESCRIPTION |
|---------|--------------|-----------------------------|
| 10 | 532 18 04-32 | Decal, Fender DBA |
| 11 | 532 42 51-12 | Decal, Warning |
| 12 | 532 44 26-47 | Decal, Wheel Steering |
| 13 | 532 14 08-37 | Decal, Saddle Brake Parking |
| 14 | 532 15 97-37 | Decal, Brake/Clutch Symbol |
| 15 | 532 15 97-36 | Decal, Chassis Hot Muffler |
| -- | 532 16 25-98 | Decal, Load Limit |
| -- | 532 40 95-05 | Pad, Footrest, LH |
| -- | 532 41 12-73 | Pad, Footrest, RH |
| -- | 532 43 41-95 | Manual, Operator's (Euro) |

WHEELS AND TIRES



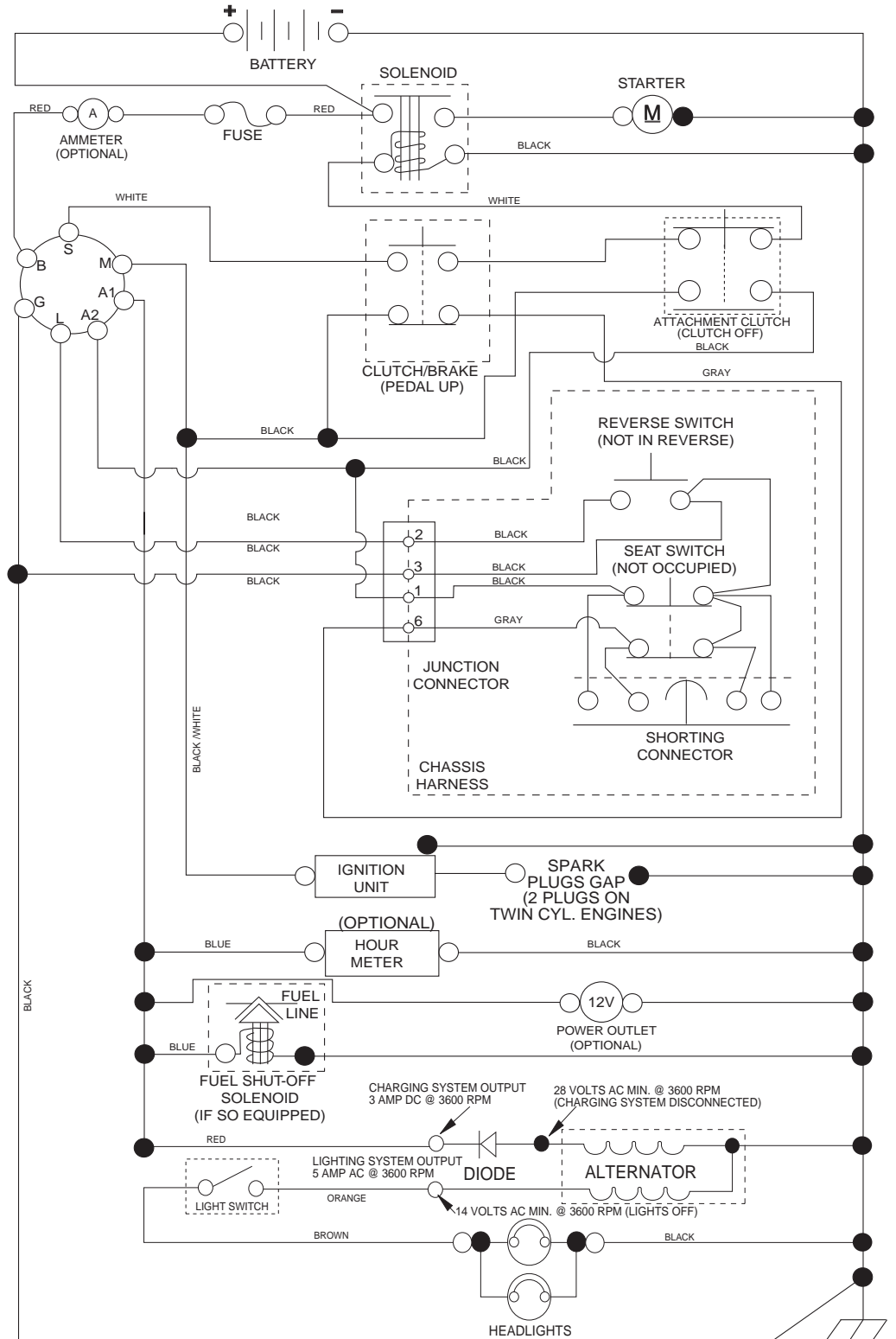
| KEY NO. | PART NO. | DESCRIPTION |
|---------|--------------|-----------------------------------|
| 1 | 532 05 91-92 | Cap Valve Tire |
| 2 | 532 06 51-39 | Stem Valve |
| 3 | 532 42 52-61 | Rim Asm 6" x 3.25 Front |
| 4 | 532 42 16-52 | Tube Front (Service Item Only) |
| 5 | 532 12 34-10 | Tire Front 13 x 5.0-6 |
| 6 | 532 12 49-57 | Fitting Grease (Front Wheel Only) |
| 7 | 532 12 49-59 | Bearing Flange (Front Wheel Only) |
| 8 | 532 17 50-39 | Cap Axle Blk 1 50 x 1 00 |
| 9 | 532 10 62-30 | Tire Rear 16 x 6 - 5 |
| 10 | 532 00 71-54 | Tube Rear (Service Item Only) |
| 11 | 532 42 52-62 | Rim Asm 8" x 5.375 Rear |
| -- | 532 14 43-34 | Sealant, Tire (10 oz. Tube) |

NOTE: All component dimensions given in U.S. inches
1 inch = 25.4 mm

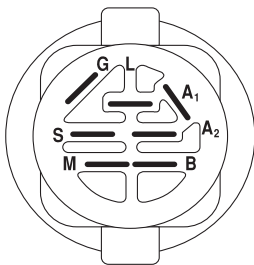
TRACTOR - - MODEL NO. LT2213 (96041008702), PRODUCT NO. 960 41 00-87

SCHEMATIC 38

SCH11

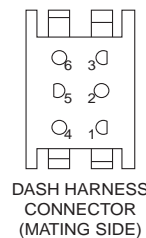
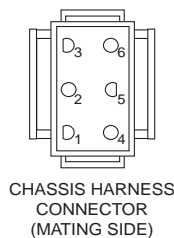


NOTE
YOUR TRACTOR IS EQUIPPED WITH A SPECIAL ALTERNATOR SYSTEM. THE LIGHTS ARE NOT CONNECTED TO THE BATTERY, BUT HAVE THEIR OWN ELECTRICAL SOURCE. BECAUSE OF THIS, THE BRIGHTNESS OF THE LIGHTS WILL CHANGE WITH ENGINE SPEED. AT IDLE THE LIGHTS WILL DIM. AS THE ENGINE IS SPEEDED UP, THE LIGHTS WILL BECOME THEIR BRIGHTEST.



IGNITION SWITCH

| POSITION | CIRCUIT | "MAKE" |
|--------------|---------|--------|
| OFF | M+G+A1 | |
| RUN/OVERRIDE | B+A1 | |
| RUN | B+A1 | L+A2 |
| START | B+S+A1 | |



WIRING INSULATED CLIPS
NOTE: IF WIRING INSULATED CLIPS WERE REMOVED FOR SERVICING OF UNIT, THEY SHOULD BE RE-INSTALLED TO PROPERLY SECURE YOUR WIRING.

NON-REMOVABLE CONNECTIONS
REMOVABLE CONNECTIONS

**TRACTOR - - MODEL NO. LT2213 (96041008702), PRODUCT NO. 960 41 00-87
ELECTRICAL 32**

| KEY NO. | PART NO. | DESCRIPTION |
|--------------------|---------------------|-------------------------------|
| 1 | 532 14 49-24 | Battery |
| 2 | 874 76 04-12 | Bolt Hex Head 1/4-20 x 3/4 |
| 8 | 532 19 32-28 | Box Battery |
| 16 | 532 17 61-38 | Switch Interlock Push-In |
| 21 | 532 40 02-52 | Harness Socket Light w/4152J |
| 22 | 532 00 41-52 | Bulb Light |
| 25 | 532 41 28-94 | Cable Starter |
| 26 | 532 17 51-58 | Fuse |
| 27 | 873 51 04-00 | Nut Keps Hex 1/4-20 unc |
| 28 | 532 19 88-85 | Cable, Ground |
| 29 | 532 40 15-45 | Switch, Seat |
| 30 | 532 19 33-50 | Switch, Ign |
| 33 | 532 41 19-35 | Key/Chain |
| 34 | 532 11 07-12 | Switch Light/Reset |
| 40 | 532 40 10-98 | Harness Ign. Dash |
| 41 | 817 72 04-08 | Screw Thd Cut 1/4-20 x 1/2 |
| 42 | 532 13 15-63 | Cover, Terminal |
| 43 | 532 19 25-07 | Solenoid |
| 55 | 817 06 05-12 | Screw Thdrol 5/16-18 x 3/4 |
| 71 | 532 40 04-49 | Harness Chassis |
| 79 | 532 17 52-42 | Socket Asm Bulb Twistlock |
| 87 | 532 19 78-02 | Switch Interlock Clutch Cable |
| 90 | 532 43 53-95 | Cover, Terminal Battery |
| 92 | 532 19 66-15 | Harness Pigtail |
| 93 | 532 19 25-40 | Screw Plastite 10-14 x 2.0 |
| 94 | 532 19 18-34 | Module Reverse |

NOTE: All component dimensions given in U.S. inches
1 inch = 25.4 mm

**TRACTOR - - MODEL NO. LT2213 (96041008702), PRODUCT NO. 960 41 00-87
CHASSIS AND ENCLOSURES 39**

| KEY NO. | PART NO. | DESCRIPTION |
|----------------|-----------------|---------------------------------|
| 5 | 532 42 57-72 | Dash |
| 14 | 532 42 43-32 | Hood |
| 18 | 532 42 65-11 | Grille |
| 34 | 532 19 61-25 | Plate Engine |
| 36 | 817 06 05-12 | Screw 5/16-18 x 3/4 |
| 37 | 532 42 47-39 | Fender |
| 52 | 873 68 05-00 | Nut Crown Lock 5/16 |
| 58 | 532 41 22-80 | Drawbar, Upper |
| 68 | 817 49 05-08 | Screw THDROL 5/16-18 x 1/2 |
| 130 | 532 41 63-58 | Screw 10 x .750 BOS Thread |
| 138 | 532 40 97-30 | Cup Holder |
| 150 | 532 40 02-67 | Air Duct |
| 151 | 532 18 75-68 | Bracket Pivot |
| 152 | 532 19 95-35 | Shield Browning |
| 153 | 532 40 97-40 | Lens |
| 162 | 532 14 24-32 | Screw HI-LO 1/4 x 1/2 |
| 175 | 532 19 94-72 | Crossmember |
| 176 | 532 40 07-76 | Screw 10-24 x 5/8 |
| 177 | 532 19 52-28 | Bushing Steering |
| 180 | 532 41 46-85 | Chassis |
| 181 | 532 40 47-96 | Bushing MNT Fender |
| 182 | 532 40 71-76 | Dash Lower |
| 183 | 874 52 05-20 | Bolt 5/16-18 x 1-1/4 |
| 189 | 817 00 05-12 | Screw 5/16-18 x 3/4 |
| 191 | 532 41 65-02 | Insert Reflective RH |
| 194 | 873 90 05-00 | Nut Lock Hex Flange 5/16-18 |
| 196 | 532 41 45-79 | Console Deck Lift Asm. |
| 202 | 532 42 33-17 | Vent Side Hood RH |
| 203 | 532 42 33-16 | Vent Side Hood LH |
| 213 | 874 76 05-12 | Bolt 5/16-18 x 3/4 |
| 217 | 532 40 91-67 | Rod Pivot Hood |
| 218 | 532 19 63-95 | X-Piece Hood Stop |
| 225 | 532 42 32-28 | Bumper Grille |
| 228 | 532 19 51-61 | Stud Fastener |
| 235 | 532 40 61-29 | Spacer Fender |
| 236 | 873 93 05-00 | Nut Lock 5/16-18 unc |
| 237 | 532 40 37-04 | Plug Mount Cargo |
| 287 | 817 60 04-06 | Screw Hex Washhead 1/4-20 x 3/8 |
| 297 | 532 40 18-27 | Insert Reflective LH |
| 303 | 532 42 51-51 | Chassis Shield French LH |
| 304 | 532 42 51-52 | Chassis Shield French RH |
| 312 | 532 42 59-26 | Shield Drawbar French |

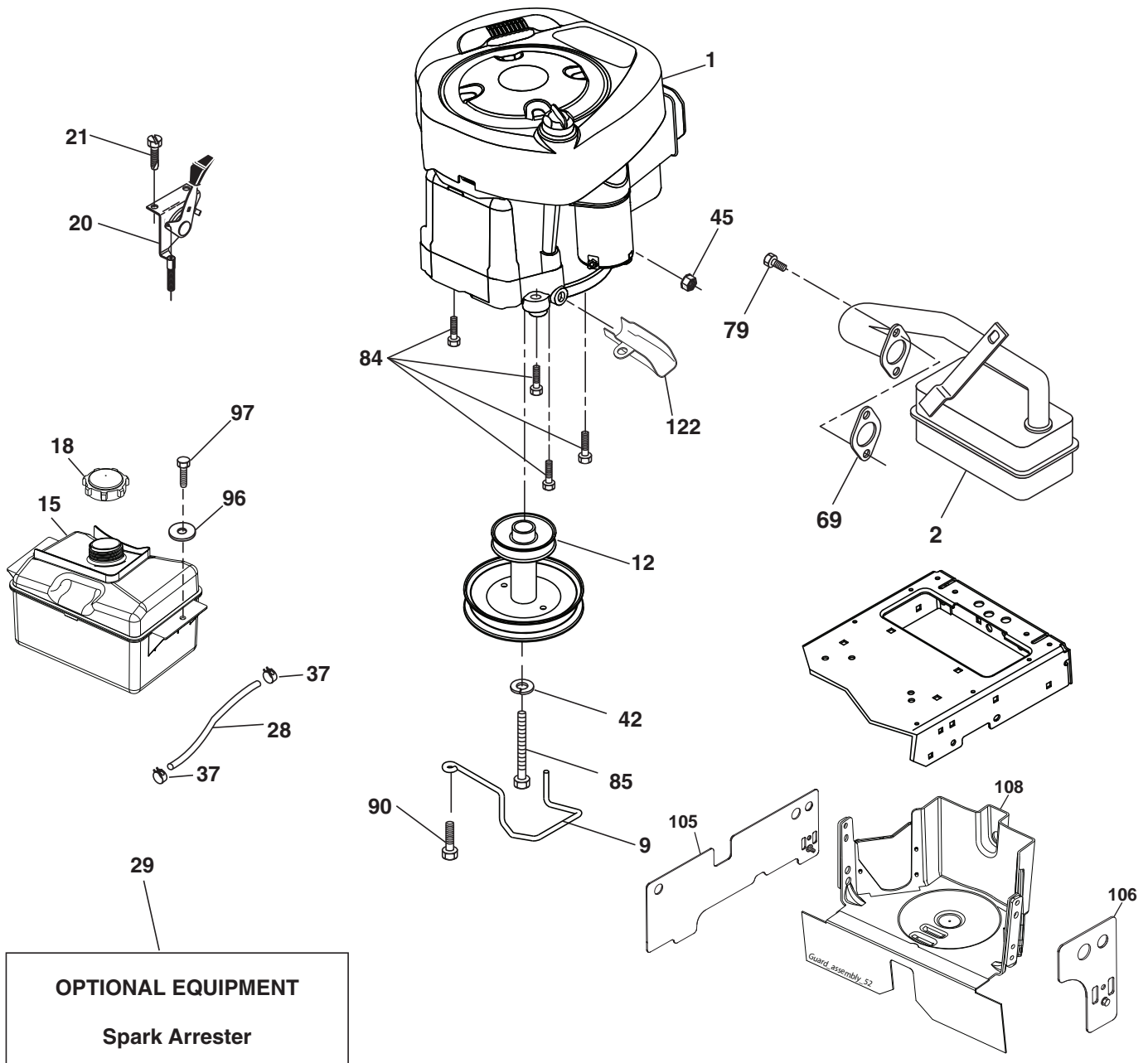
NOTE: All component dimensions given in U.S. inches
1 inch = 25.4 mm

TRACTOR - - MODEL NO. LT2213 (96041008702), PRODUCT NO. 960 41 00-87
DRIVE 40

| KEY NO. | PART NO. | DESCRIPTION | KEY NO. | PART NO. | DESCRIPTION |
|---------|--------------|---------------------------------|---------|--------------|--------------------------------|
| 1 | ----- | Transaxle, Peerless 206-565 | 167 | 532 40 52-57 | Latch Brake Parking |
| 2 | 532 12 35-83 | Key Square | 172 | 532 19 76-57 | Strap Torque LH |
| 15 | 819 13 13-16 | Washer 13/32 x 13/16 x 16 Ga. | 174 | 532 19 72-89 | Nut Push |
| 17 | 532 19 72-97 | Spring, Brake | 175 | 532 19 78-58 | Shaft Asm. Shift |
| 22 | 532 19 76-60 | Rod Shift | 176 | 532 19 62-14 | Arm Clevis Rod Shift |
| 23 | 532 12 12-74 | Knob | 178 | 532 19 74-56 | Spring Shift |
| 26 | 532 19 74-55 | Spring Brake Return | 183 | 532 13 70-57 | Spacer Axle |
| 29 | 532 19 72-67 | Rod, Brake | 184 | 532 40 97-47 | Handle Parking Brake |
| 33 | 812 00 00-01 | Ring E | 185 | 872 11 06-22 | Bolt 3/8-16 unc x 2-3/4 Gr. 5 |
| 35 | 532 40 10-31 | Rod, Brake, Park | 186 | 532 19 43-21 | Spacer Retainer |
| 37 | 532 12 17-49 | Washer 25/32 x 1-1/4 x 16 Ga. | 187 | 819 13 32-10 | Washer |
| 42 | 532 12 48-72 | Cover, Foot Pedal | 188 | 532 19 43-23 | Link Clutch Ground Drive |
| 49 | 872 11 06-14 | Bolt | 189 | 532 19 43-17 | Bellcrank Ground Drive |
| 50 | 532 19 43-27 | Pulley Idler Flat | 190 | 532 19 43-18 | Keeper Bellcrank Ground Drive |
| 51 | 873 90 06-00 | Lock Nut 3/8-16 | 192 | 532 15 03-60 | Nut Lock Center 1/4-28 Fnthd |
| 52 | 532 19 43-26 | Idler V-Groove | 193 | 817 06 05-12 | Screw 5/16-18 x 3/4 |
| 56 | 532 13 82-55 | V-Belt, Drive | 195 | 532 19 73-32 | Bracket Brake Rod |
| 61 | 532 16 59-99 | Pulley Transaxle | 202 | 532 19 78-59 | Link Transaxle |
| 64 | 532 19 62-00 | Shaft Asm. Pedal Brake Control | 203 | 819 11 11-16 | Washer 11/32 x 11/16 x 16 Ga. |
| 70 | 532 41 12-90 | Console Shift | 205 | 532 12 17-48 | Washer 25/32 x 1-5/8 16 Ga. |
| 73 | 874 49 05-44 | Bolt Hex Flghd 5/16-18 Gr. 5 | 221 | 532 40 31-87 | Retainer Spring Clip Handle |
| 74 | 532 14 24-32 | Screw Hex Wsh 1/4 x 1/2 | 232 | 874 78 07-16 | Bolt Hex 7/16-14 x 1 Gr. 5 |
| 116 | 873 90 05-00 | Nut Lock Hex Flange 5/16-18 | 233 | 532 40 52-96 | Washer Serrated |
| 125 | 817 00 05-12 | Screw 5/16-18 x 3/4 | 263 | 817 00 06-12 | Screw Hexwsh THDR 3/8-16 x 3/4 |
| 134 | 532 19 78-57 | Asm Shift | 268 | 819 13 16-14 | Washer 13/32 x 1 x 14 Ga. |
| 139 | 874 55 04-12 | Bolt 1/4-28 unf Gr. 8 w/Patch | 275 | 532 18 24-02 | Guard Muffler |
| 140 | 810 04 04-00 | Washer Lock Hvy Helical 1/4 | 287 | 532 42 16-48 | Keeper Pulley Transaxle |
| 141 | 819 09 12-10 | Washer 9/32 x 3/4 x 10 Ga. | 291 | 532 17 01-65 | Bolt Shoulder 5/16-18 TT |
| 155 | 812 00 00-28 | Ring Retainer | 293 | 532 42 25-48 | Hinge RH |
| 157 | 532 10 57-01 | Washer Plate Shift | 294 | 532 43 03-03 | Guard Asm. RH |
| 158 | 532 19 43-52 | Belt Keeper | | | |
| 159 | 876 02 04-12 | Pin Cotter 1/8 x 3/4 | | | |
| 160 | 532 16 94-84 | Retainer Clip | | | |
| 161 | 532 10 57-09 | Spring, Return, Clutch | | | |
| 165 | 532 19 62-12 | Busing Shaft Brake Hand Control | | | |
| 166 | 532 42 91-64 | Nut Push .625 | | | |

NOTE: All component dimensions given in U.S. inches
1 inch = 25.4 mm

TRACTOR -- MODEL NO. LT2213 (96041008702), PRODUCT NO. 960 41 00-87
ENGINE **24**



engine-tex_BS_36

**TRACTOR - - MODEL NO. LT2213 (96041008702), PRODUCT NO. 960 41 00-87
ENGINE 24**

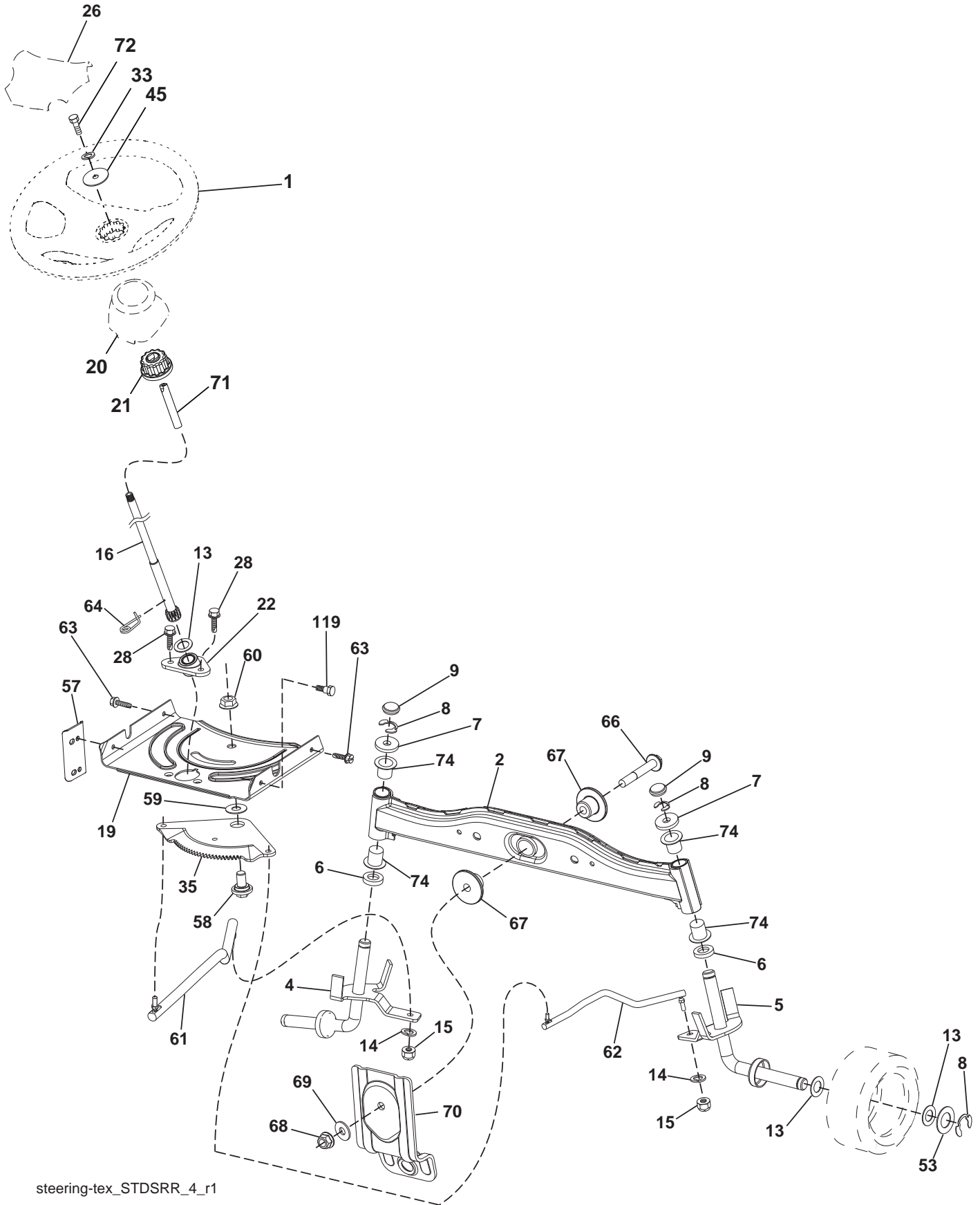
| KEY NO. | PART NO. | DESCRIPTION |
|---------|--------------|---|
| 1 | ----- | Engine Briggs Model No. 219807-1210-B1 |
| 2 | 532 17 97-58 | Muffler |
| 9 | 532 19 43-19 | Keeper Belt Engine |
| 12 | 532 14 01-86 | Pulley Engine |
| 15 | 532 40 75-45 | Tank Fuel |
| 18 | 532 43 02-20 | Cap Asm |
| 20 | 532 18 38-97 | Control Throttle |
| 21 | 532 41 63-58 | Screw #10 x 0.750 BOS Thread |
| 28 | 532 13 70-40 | Fuel Line |
| 29 | 532 13 71-80 | Spark Arrester Kit |
| 37 | 532 12 34-87 | Clamp Hose |
| 42 | 810 04 07-00 | Washer Lock 7/16 |
| 45 | 873 51 04-00 | Nut Keps Hex 1/4-20 unc |
| 69 | 532 16 52-91 | Gasket |
| 79 | 532 19 23-34 | Screw 5/16-18 x 3/4 |
| 84 | 817 06 06-20 | Screw 3/8-16 x 1/4 |
| 85 | 532 17 39-37 | Bolt Hex 7/16-20 x 4 Gr. 5 |
| 90 | 817 00 06-16 | Screw 3/8-16 x 1 |
| 96 | 819 09 14-16 | Washer 9/32 x 7/8 x 16 Ga. |
| 97 | 817 67 04-12 | Screw 1/4-20 x 3/4 |
| 105 | 532 44 06-74 | Shield SRD LH |
| 106 | 532 44 06-79 | Shield SRD RH |
| 108 | 532 43 16-89 | Cover Pulley |
| 122 | 532 42 19-22 | Extension Drain Oil |

NOTE: All component dimensions given in U.S. inches
1 inch = 25.4 mm

Engine Power Rating Information

The gross power rating for individual gas engine models is labeled in accordance with SAE (Society of Automotive Engineers) code J1940 (Small Engine Power & Torque Rating Procedure), and rating performance has been obtained and corrected in accordance with SAE J1995 (Revision 2002-05). Torque values are derived at 3060 RPM; horsepower values are derived at 3600 RPM. Actual gross engine power will be lower and is affected by, among other things, ambient operating conditions and engine-to-engine variability. Given both the wide array of products on which engines are placed and the variety of environmental issues applicable to operating the equipment, the gas engine will not develop the rated gross power when used in a given piece of power equipment (actual "on-site" or net power). This difference is due to a variety of factors including, but not limited to, accessories (air cleaner, exhaust, charging, cooling, carburetor, fuel pump, etc.), application limitations, ambient operating conditions (temperature, humidity, altitude), and engine-to-engine variability. Due to manufacturing and capacity limitations, Briggs & Stratton may substitute an engine of higher rated power for this Series engine.

TRACTOR - - MODEL NO. LT2213 (96041008702), PRODUCT NO. 960 41 00-87
STEERING ASSEMBLY [41]



steering-tex_STDSRR_4_r1

TRACTOR - - MODEL NO. LT2213 (96041008702), PRODUCT NO. 960 41 00-87
STEERING ASSEMBLY 41

| KEY NO. | PART NO. | DESCRIPTION |
|----------------|-----------------|-------------------------------------|
| 1 | 532 19 46-37 | Wheel, Steering |
| 2 | 532 41 81-68 | Axle Asm., Front |
| 4 | 532 41 68-45 | Spindle Asm., LH |
| 5 | 532 41 68-46 | Spindle Asm., RH |
| 6 | 532 12 49-31 | Washer Thrust |
| 7 | 532 12 17-48 | Washer 25/32 x 1-5/8 x 16 Ga. |
| 8 | 812 00 00-29 | Ring, Klip #T5304-75 |
| 9 | 532 12 12-32 | Cap, Spindle |
| 13 | 532 12 17-49 | Washer 25/32 x 1-1/4 x 16 Ga. |
| 14 | 810 04 06-00 | Washer, Lock Hvy Hlcl Spr 3/8 |
| 15 | 873 54 06-00 | Nut, Crown Lock 3/8-24 unf |
| 16 | 532 42 93-73 | Shaft Steering |
| 19 | 532 19 47-29 | Plate Steering |
| 20 | 532 42 47-02 | Boot, Steering |
| 21 | 532 18 67-37 | Adapter, Wheel Steering |
| 22 | 532 42 05-37 | Steering Support Lower |
| 26 | 532 19 46-03 | Insert, Wheel Steering |
| 28 | 817 00 06-12 | Screw 3/8-16 x 3/4 |
| 33 | 810 04 05-00 | Washer Lock 5/16 |
| 35 | 532 19 47-32 | Gear, Sector Plate |
| 45 | 819 11 38-12 | Washer 11/32 x 3/8 x 12 Ga. |
| 53 | 532 18 89-67 | Washer Hardened .793 x 1.637 x .060 |
| 57 | 532 40 74-65 | Bracket Upstop |
| 58 | 532 19 47-47 | Bolt Shoulder Sector Pivot CFM |
| 59 | 532 19 47-48 | Washer Thrust Sector Steering |
| 60 | 873 97 10-00 | Nut Flange Lock 5/8-11 |
| 61 | 532 19 47-40 | Draglink, LH |
| 62 | 532 19 47-41 | Draglink, RH |
| 63 | 817 00 05-12 | Screw 5/16-18 x 3/4 |
| 64 | 532 19 98-49 | Retainer Clip Spring Steering |
| 66 | 871 02 07-48 | Bolt Hex Fghd 7/16-14 x 3 Serr |
| 67 | 532 19 47-37 | Bushing PM Front Axle |
| 68 | 873 90 07-00 | Nut Lock Flange 7/16-14 Gr. 5 |
| 69 | 532 19 91-62 | Washer 1.5 x .505 x .118 |
| 70 | 532 41 70-65 | Bracket Deck Susp. Front |
| 71 | 532 19 07-52 | Shaft Extension Steering |
| 72 | 874 42 89-82 | Bolt Fin Hex 5/16-18 x 4 w/Patch |
| 74 | 532 12 49-37 | Bearing |
| 119 | 532 17 01-65 | Bolt Shoulder |

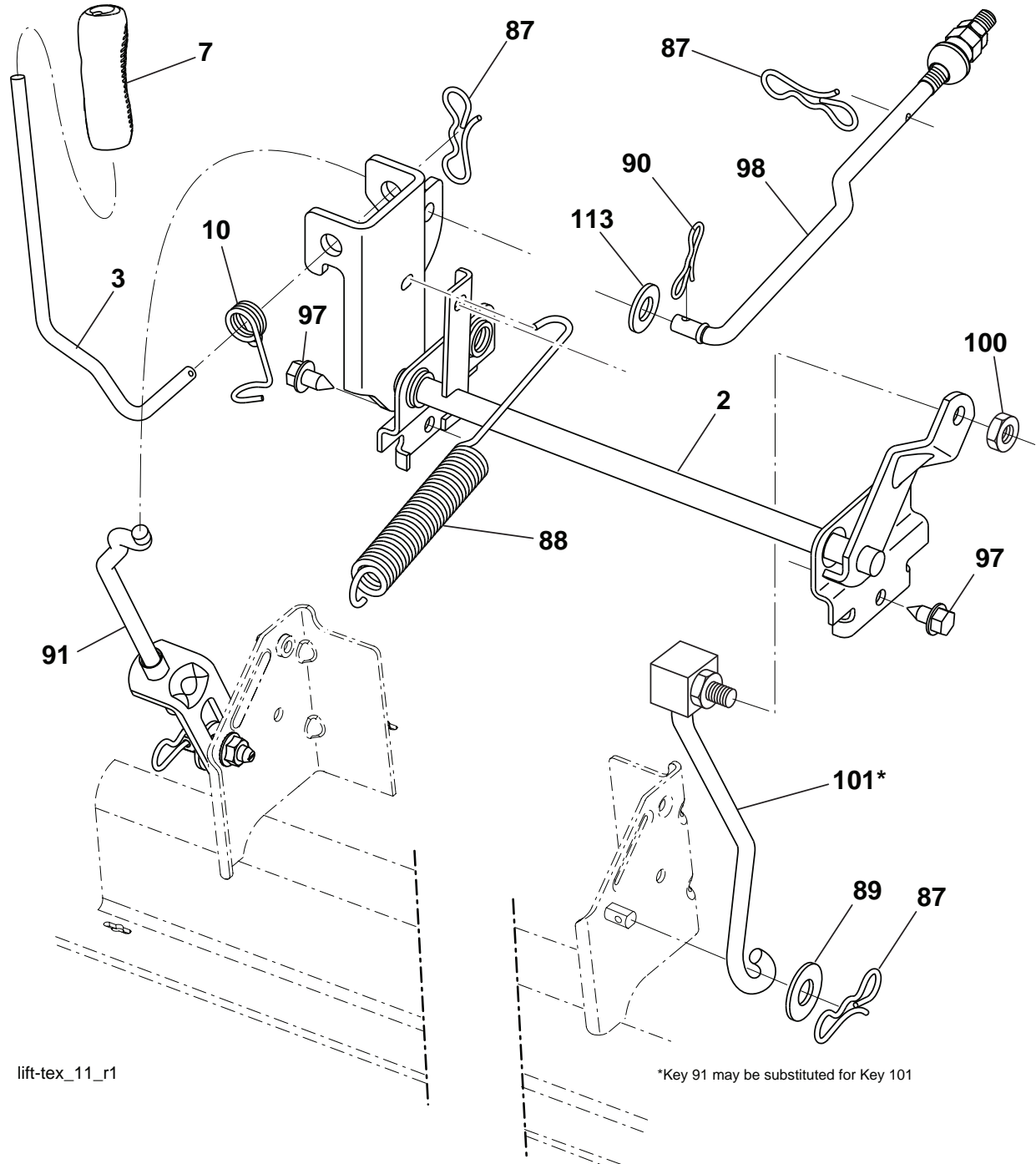
NOTE: All component dimensions given in U.S. inches
1 inch = 25.4 mm

**TRACTOR - - MODEL NO. LT2213 (96041008702), PRODUCT NO. 960 41 00-87
MOWER DECK 44**

| KEY NO. | PART NO. | DESCRIPTION | KEY NO. | PART NO. | DESCRIPTION |
|------------|--------------|-------------------------------------|------------|--------------|--|
| 1 | 532 41 92-72 | Deck Weldment 30"Srd | 32 | 532 40 18-72 | Spring Return Deck 38/46" |
| 2 | 532 19 51-61 | Stud Fastner w/'D'anti-Rotatio | 33 | 532 18 72-81 | Housing Mandrel 4pt Service |
| 3 | 873 90 05-00 | Nut Lock Hex Flange 5/16 - 18 | 34 | 532 19 28-72 | Shaft Asm Mndrl N/Greaseable38 |
| 4 | 532 41 76-45 | Bracket Clutch Cable | 35 | 532 41 92-73 | Blade Mower Hp/Mulch Srd |
| 5 | 817 00 05-10 | Bolt 5/16-18 | 36 | 532 19 30-03 | Bolt/Washer Asm 7/16 - 20 unf |
| 6 | 532 41 88-63 | Arm Susp Mower Rear Srd | 37 | 819 13 13-16 | Washer 13/32 x 13/16 x 16 Ga. |
| 7 | 532 41 63-58 | Screw #10 x 0.750 BOS Thread | 38 | 532 19 65-39 | Bolt Shoulder |
| 8 | 532 42 02-52 | Arm Idler 30"Srd | 39 | 532 10 53-04 | Cap Sleeve |
| 9 | 532 19 90-92 | Spacer Retainer | 40 | 532 41 92-70 | Keeper Belt Engine LH |
| 10 | 817 00 06-16 | Screw 3/8 - 16 X 1 Smgml Tap/R Blk | 41 | 532 41 92-65 | Keeper Belt Engine RH |
| 11 | 532 13 77-29 | Screw Thd Roll 1/4 - 20 X 5/8 | 42 | 817 00 06-12 | ScrewHexwsh THDR3/8-16x3/4BL |
| 12 | 532 19 94-70 | Arm Brake Mower 38" RH Tex | 43 | 532 41 68-77 | Pulley Mandrel 6 5 Pd 30" |
| 13 | 872 11 06-12 | Bolt Carr Sh 3/8 - 16 X 1 - 1/2 Gr5 | 67 | 532 40 30-12 | Handle clutch cable |
| 14 | 532 15 60-85 | Keeper Belt Idler | 70 | 532 40 12-46 | Clutch Asm. Manual |
| 15 | 532 14 67-63 | Pulley Ikler V-Groove Dim 4.25 | 76 | 532 41 55-98 | Washout Port |
| 16 | 873 90 06-00 | Nut Lock FIG 3/8 - 16 unc | 78 | 532 42 25-66 | Guard Deck SRD Arm Clutch |
| 17 | 532 40 02-34 | Nut Flange Lock Top | 79 | 532 14 24-32 | Screw Hex Wsh 1/4 x 1/2 unc |
| 18 | 532 18 76-90 | Washer Spacer Mandrel | 80 | 532 42 30-62 | Palnut 1/4" |
| 19 | 532 11 04-85 | Bearing Ball Mandrel | 81 | 532 42 53-67 | Shield Asm. Suspension |
| 20 | 532 17 39-84 | Screw Thd Roll Dod Pt Hex | 83 | 532 43 03-15 | Shield Side LH |
| 21 | 532 41 69-10 | Keeper Belt Mandrel 30" | 152 | 532 43 51-11 | Manual Clutch Cable |
| 22 | 532 19 31-98 | Pulley Idler Flat Unplated | -- | 532 19 28-70 | Mandrel Assembly (Includes Hous- ing, Shaft Assembly, And Bearing Only - Pulley/Nut/Washer And Blade Bolt/Washers Not Included) |
| 23 | 817 49 06-28 | Screw Thdrol 3/8 - 16 X 1-3/4 | -- | 532 43 19-58 | Replacement Mower Complete |
| 24 | 819 13 20-12 | Washer 13/32 X 1 - 1/4 X 12 Ga | | | |
| 25 | 532 42 02-53 | Keeper Belt 30"Srd | | | |
| 26 | 532 43 24-66 | Cover Mandrel Mwr 30"Black | | | |
| 27 | 532 41 92-71 | V-Belt Drive | | | |
| 28 | 532 41 73-44 | Shield Asm Deflect Mwr | | | |
| 29 | 532 42 08-95 | Pin Hinge 30 | | | |
| 30 | 532 19 70-26 | Spring Torsion Dfl 38/42/46 Gr | | | |
| 31 | 532 11 04-52 | Nut Push Phos & Oil | | | |

NOTE: All component dimensions given in U.S. inches
1 inch = 25.4 mm

TRACTOR -- MODEL NO. LT2213 (96041008702), PRODUCT NO. 960 41 00-87
MOWER LIFT 45



lift-tex_11_r1

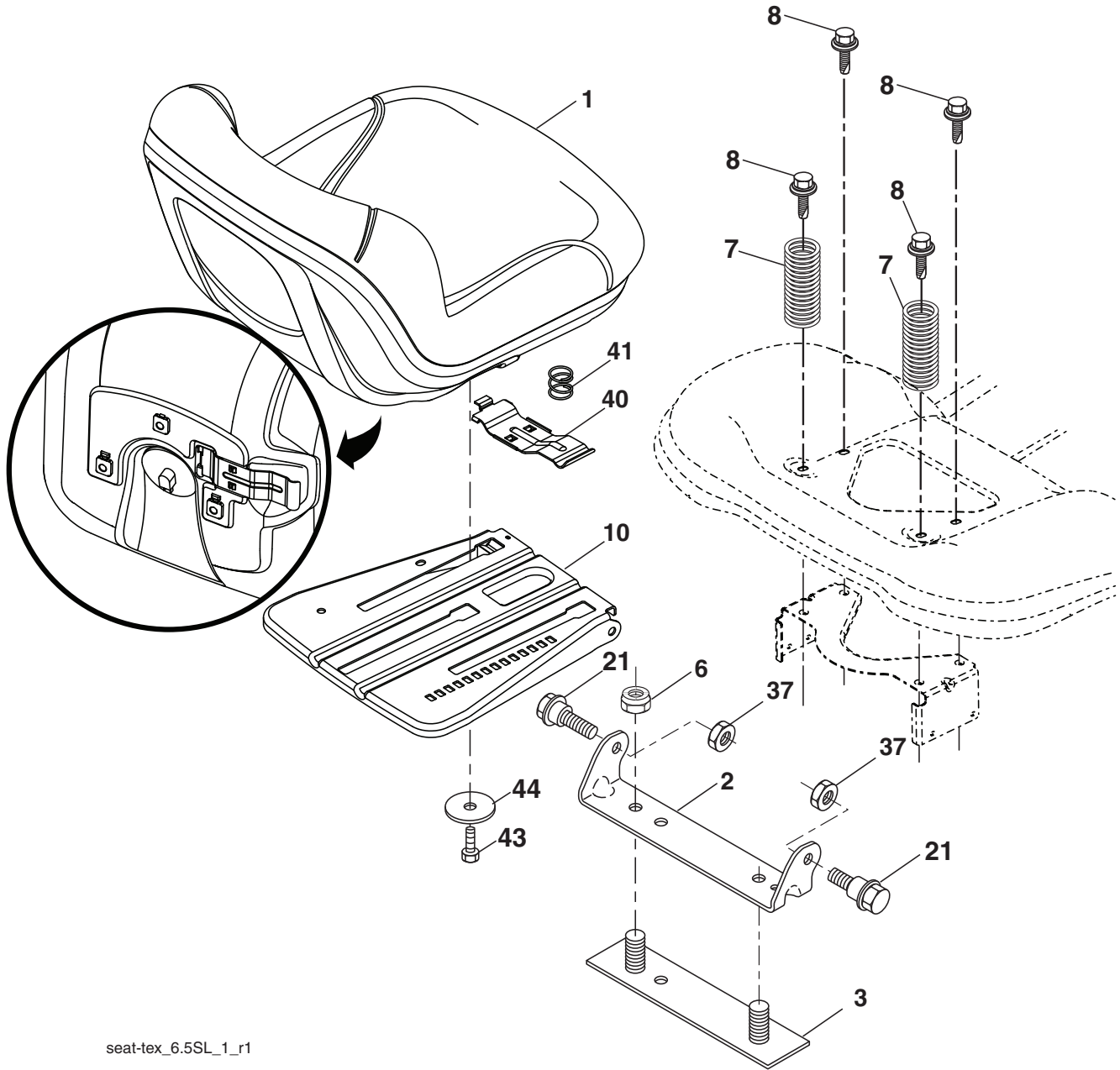
*Key 91 may be substituted for Key 101

| KEY NO. | PART NO. | DESCRIPTION |
|---------|--------------|------------------------------|
| 2 | 532 42 20-27 | Shaft Asm., Lift |
| 3 | 532 19 52-31 | Lever Asm., Lift RH |
| 7 | 532 41 15-55 | Grip, Lever |
| 10 | 532 19 63-14 | Spring Torsion |
| 87 | 532 19 42-09 | Pin Cotter 7/16 Bow Tie Lock |
| 88 | 532 41 07-10 | Spring Lift Assist |
| 89 | 819 19 19-12 | Washer Clear |
| 90 | 532 19 42-08 | Pin Cotter 5/16 Bow Tie Lock |
| 91 | 532 19 51-81 | Link Asm Lift LH Rear |

| KEY NO. | PART NO. | DESCRIPTION |
|---------|--------------|----------------------------------|
| 97 | 817 00 06-12 | Screw Hex Wsh. THDR 3/8-16 x 3/4 |
| 98 | 532 19 52-64 | Link Lift Susp. Front Mower |
| 100 | 873 93 06-00 | Nut Centerlock 3/8-16 unc |
| 101 | 532 40 70-03 | Link Asm Lift FXD |
| 113 | 819 17 19-12 | Wahser 17/32 x 1-3/16 x 12 Ga. |

NOTE: All component dimensions given in U.S. inches
 1 inch = 25.4 mm

**TRACTOR - - MODEL NO. LT2213 (96041008702), PRODUCT NO. 960 41 00-87
SEAT ASSEMBLY 42**



seat-tex_6.5SL_1_r1

| KEY NO. | PART NO. | DESCRIPTION |
|---------|--------------|-------------------------------|
| 1 | 532 41 14-05 | Seat |
| 2 | 532 18 01-66 | Bracket Pivot Fender |
| 3 | 532 14 06-75 | Strap, Asm Fender |
| 6 | 873 80 06-00 | Nut, Lock w/Ins. 3/8-16 unc |
| 7 | 532 12 41-81 | Spring, Seat Cprsn |
| 8 | 532 17 18-77 | Bolt 5/16-18 unc x 3/4 w/Sems |
| 10 | 532 19 69-77 | Pan, Seat |
| 21 | 532 17 18-52 | Bolt, Shoulder 5/16-18 |

| KEY NO. | PART NO. | DESCRIPTION |
|---------|--------------|-------------------------------|
| 37 | 873 80 05-00 | Nut, Lock 5/16-18 unc |
| 40 | 532 19 76-61 | Handle Slide Seat |
| 41 | 532 19 82-00 | Spring Latch Seat |
| 43 | 874 76 06-12 | Bolt Fin Hex 3/8-16 unc x 3/4 |
| 44 | 819 13 38-12 | Washer 13/32 x 2-3/8 x 12 Ga. |

NOTE: All component dimensions given in U.S. inches
1 inch = 25.4 mm

